

LINK UP GATEWAY PYROMETER

INSTRUCTIONS MANUAL
rev. AA



CONTENT

Introduction	3
Safety Information	5
System installation	7
Configuration	12
Technical data	15

INTRODUCTION

SYSTEM COMPONENTS



1x Link Up gateway
B000423



1x 6m extension cable
B000632



1x Pyrometer sensor
N03-320-264



1x Safety Instructions
B000100

THE LINK UP GATEWAY CONCEPT

The Link Up Pyrometer gateway (hereinafter “Device” or “Link Up”) provide an easy method to provide the exhaust temperature to NMEA 2000.

Easily installed, the LinkUp gateway replaces the original wiring, delivering power to both the LinkUp device and sensor from the NMEA 2000 backbone while still being compliant with the NMEA 2000 certification requirements.

The data are then available for being displayed on any OceanLink, AcquaLink, or more in general on any glass cockpit NMEA 2000 display device.

Configuring LinkUp gateways is simple using a mobile device and the companion LinkUp Configurator App for Android or iOS.

Each device has a built-in passive NFC antenna, so the parameters of the sensor are wirelessly configured to type, instance and warning threshold on the mobile device which is then “tapped” against the LinkUp device for instant data download.

DESIGN AND FUNCTION

The Link Up gateway has a simple but yet effective design.

The housing filled with bi-component resin allows the unit to be installed in Engine Rooms, making it compliant to the ISO 8846:1990 as requested by the directive 2013-53(EC).

The standard NMEA 2000® M12 plug allows for a plug-and-play installation to the network backbone.

The pyrometer sensor serves to monitor accurately the temperature in the elbow flange of the exhaust pipe and indicates eventual thermal overload of the engine.

The sensor connection to the LinkUp happens through an extension cable provided with an AMP SuperSeal plug, which perfectly matches the LinkUp, without the need of additional wiring.



SAFETY INFORMATION

WARNING

- No smoking! No open fire or heat sources!
-
- The product was developed, manufactured and inspected according to the basic safety requirements of EC Guidelines and state-of-the-art technology.
 - The instrument is designed for use in grounded vehicles and machines as well as in pleasure boats, including non-classified commercial shipping.
 - Use our product only as intended. Use of the product for reasons other than its intended use may lead to personal injury, property damage or environmental damage. Before installation, check the vehicle documentation for vehicle type and any possible special features!
 - Use the assembly plan to learn the location of the fuel/hydraulic/compressed air and electrical lines!
 - Note possible modifications to the vehicle, which must be considered during installation!
 - To prevent personal injury, property damage or environmental damage, basic knowledge of motor vehicle/shipbuilding electronics and mechanics is required.
 - Make sure that the engine cannot start unintentionally during installation!
 - Modifications or manipulations to VDO products can affect safety. Consequently, you may not modify or manipulate the product!
 - When removing/installing seats, covers, etc., ensure that lines are not damaged and plug-in connections are not loosened!
 - Note all data from other installed instruments with volatile electronic memories.

SAFETY DURING INSTALLATION

- During installation, ensure that the product's components do not affect or limit vehicle functions. Avoid damaging these components!
- Only install undamaged parts in a vehicle!
- During installation, ensure that the product does not impair the field of vision and that it cannot impact the driver's or passenger's head!
- A specialized technician should install the product. If you install the product yourself, wear appropriate work clothing. Do not wear loose clothing, as it may get caught in moving parts. Protect long hair with a hair net.
- When working on the on-board electronics, do not wear metallic or conductive jewelry such as necklaces, bracelets, rings, etc.
- If work on a running engine is required, exercise extreme caution. Wear only appropriate work clothing as you are at risk of personal injury, resulting from being crushed or burned.
- Before beginning, disconnect the negative terminal on the battery, otherwise you risk a short circuit. If the vehicle is supplied by auxiliary batteries, you must also disconnect the negative terminals on these batteries! Short circuits can cause fires, battery explosions and damages to other electronic systems. Please note that when you disconnect the battery, all volatile electronic memories lose their input values and must be reprogrammed.
- If working on gasoline boat motors, let the motor compartment fan run before beginning work.
- Pay attention to how lines and cable harnesses are laid so that you do not drill or saw through them!
- Do not install the product in the mechanical and electrical airbag area!
- Do not drill holes or ports in load-bearing or stabilizing stays or tie bars!

SAFETY INFORMATION

- When working underneath the vehicle, secure it according to the specifications from the vehicle manufacturer.
- Note the necessary clearance behind the drill hole or port at the installation location. Required mounting depth: 65 mm.
- Drill small ports; enlarge and complete them, if necessary, using taper milling tools, saber saws, keyhole saws or files. Deburr edges. Follow the safety instructions of the tool manufacturer.
- Use only insulated tools, if work is necessary on live parts.
- Use only the multimeter or diode test lamps provided, to measure voltages and currents in the vehicle/machine or boat. Use of conventional test lamps can cause damage to control units or other electronic systems.
- The electrical indicator outputs and cables connected to them must be protected from direct contact and damage. The cables in use must have enough insulation and electric strength and the contact points must be safe from touch.
- Use appropriate measures to also protect the electrically conductive parts on the connected consumer from direct contact. Laying metallic, uninsulated cables and contacts is prohibited.

SAFETY AFTER INSTALLATION

- Connect the ground cable tightly to the negative terminal of the battery.
- Reenter/reprogram the volatile electronic memory values.
- Check all functions.
- Use only clean water to clean the components. Note the Ingress Protection (IP) ratings (IEC 60529).

ELECTRICAL CONNECTION

- Note cable cross-sectional area!
- Reducing the cable cross-sectional area leads to higher current density, which can cause the cable cross-sectional area in question to heat up!
- When installing electrical cables, use the provided cable ducts and harnesses; however, do not run cables parallel to ignition cables or to cables that lead to large electricity consumers.
- Fasten cables with cable ties or adhesive tape. Do not run cables over moving parts. Do not attach cables to the steering column!
- Ensure that cables are not subject to tensile, compressive or shearing forces.
- If cables are run through drill holes, protect them using rubber sleeves or the like.
- Use only one cable stripper to strip the cable. Adjust the stripper so that stranded wires are not damaged or separated.
- Use only a soft soldering process or commercially available crimp connector to solder new cable connections!
- Make crimp connections with cable crimping pliers only. Follow the safety instructions of the tool manufacturer.
- Insulate exposed stranded wires to prevent short circuits.
- Caution: Risk of short circuit if junctions are faulty or cables are damaged.
- Short circuits in the vehicle network can cause fires, battery explosions and damages to other electronic systems. Consequently, all power supply cable connections must be provided with weldable connectors and be sufficiently insulated.
- Ensure ground connections are sound.
- Faulty connections can cause short circuits. Only connect cables according to the electrical wiring diagram.
- If operating the instrument on power supply units, note that the power supply unit must be stabilized and it must comply with the following standard: DIN EN 61000, Parts 6-1 to 6-4.

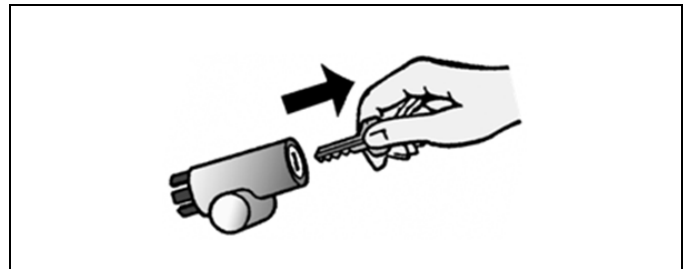
SYSTEM INSTALLATION

WARNING

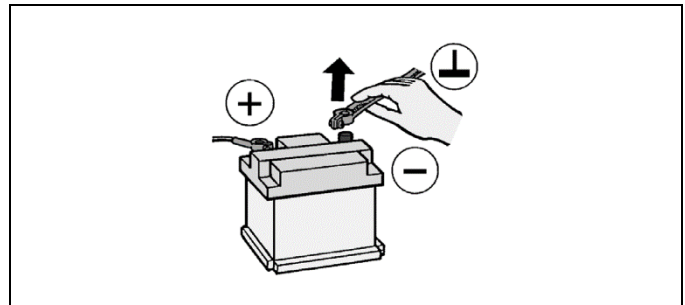
Before beginning, disconnect the negative terminal on the battery, otherwise you risk a short circuit. If the vehicle is supplied by auxiliary batteries, you must also disconnect the negative terminals on these batteries! Short circuits can cause fires, battery explosions and damages to other electronic systems. Please note that when you disconnect the battery, all volatile electronic memories lose their input values and must be reprogrammed.

BEFORE THE ASSEMBLY

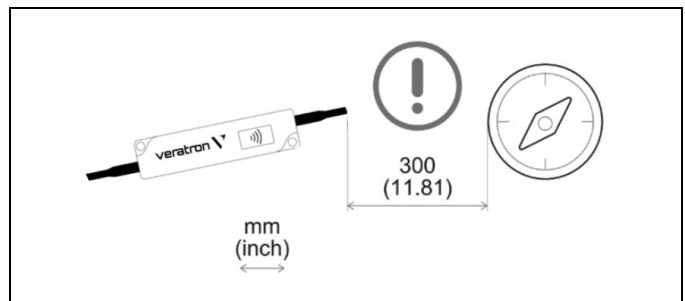
1. Before beginning, turn off the ignition and remove the ignition key. If necessary, remove the main circuit switch



2. Disconnect the negative terminal on the battery. Make sure the battery cannot unintentionally restart.



3. Place the device at least 300 mm away from any magnetic compass.



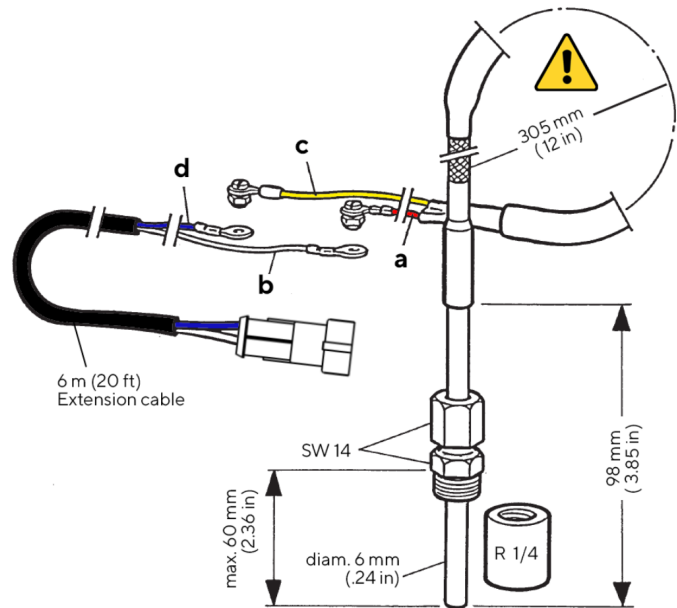
PYROMETER SENSOR INSTALLATION

Connect the Pyrometer sensor to the extension cable as indicated in the picture making sure to follow the connections table below.

⚠ WARNING

- Do not shorten measuring leads. Coil if necessary.

Sensor		Cable
A (red)	→	B (white)
C (yellow)	→	D (blue)



Pin No.	Wire color	Description
1	White	Sensor GND
2	Blue	Sensor signal

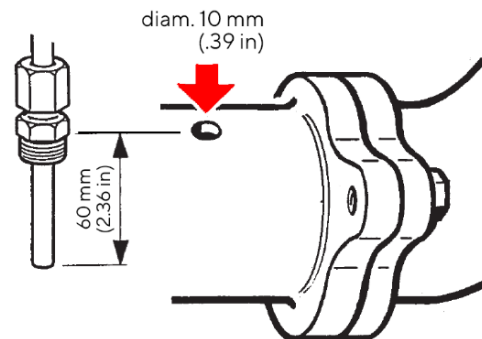


Pin No.	Wire color	Description
1	Red	Sensor GND
2	Yellow	Sensor signal



Install the sensor in the exhaust pipe near the elbow flange.

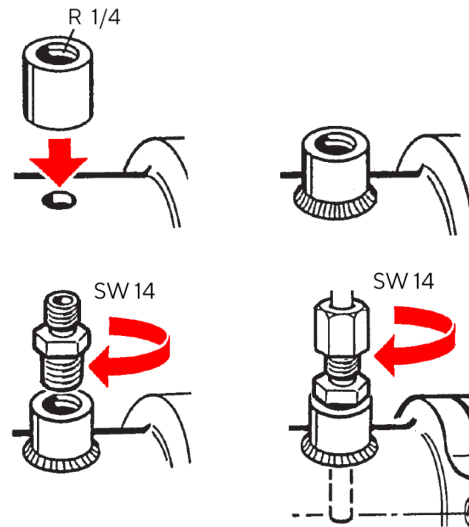
Maximum adjustment depth up to the middle of exhaust pipe: 60 mm (2.36 in).



Mount the bushing centrally and weld on.

⚠ WARNING

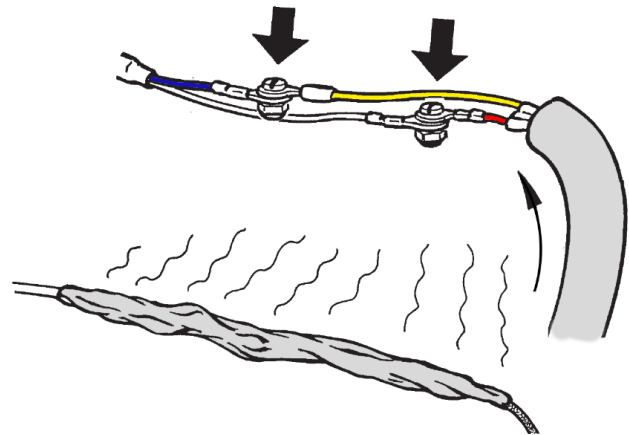
- The weld must form a tight seal.
- Always follow the safety instructions and advice of the welding equipment manufacturer.



Slide the heat-shrinkable sleeve over the cable connections and then heat with a hot-air fan over the entire length until it shrinks.

⚠ WARNING

- Always follow the safety advice of the hot-air fan manufacturer.

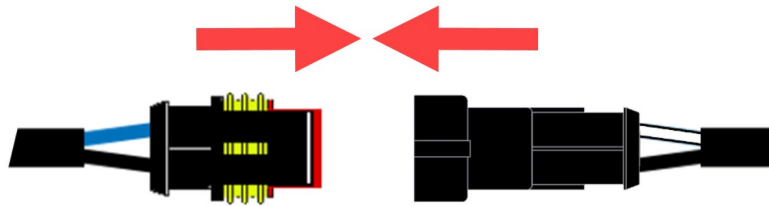


LINK UP CONNECTION

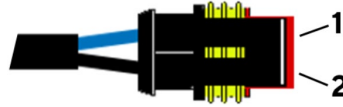
Connect the Link Up sensor-side plug to the 6 m extension cable B000632 to interface the pyrometer sensor.

The 6 m extension cable B000632 is designed with the mating AMP SuperSeal connector for a plug-and-play installation.

The contacts must audibly lock into place.

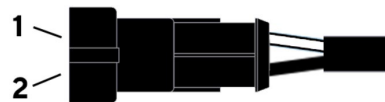


Pin No.	Wire color	Description
1	Black	Sensor GND
2	Blue	Sensor signal



LinkUp sensor-side plug

Pin No.	Wire color	Description
1	White	Sensor GND
2	Blue	Sensor signal



Extension cable
LinkUp-side plug

CONNECT TO THE NMEA 2000® NETWORK

Once the sensor installation is complete it is possible to interface the Link Up gateway to the NMEA 2000® network through the dedicated DeviceNet plug.

Please ensure to tighten the M12 connector by screwing it onto its counterpart, so to preserve the water tightness.

A drop cable is not needed unless the total length of the Link Up device is not enough to reach the NMEA 2000® backbone. In this case it is possible to extend the total length by using one of the accessory drop cables.

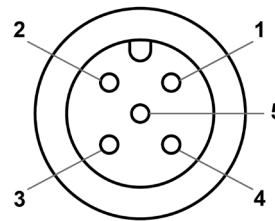
Please note that NMEA 2000® does not allow drop cables longer than 6 meters.

Refer to the NMEA 2000® standard for a proper network design.

If power from the NMEA 2000® network is received, the green LED on the Link Up housing will start flashing (see “LED notifications”).



Pin No.	Description
1	Shield
2	NET-S (V+)
3	NET-C (V-)
4	NET-H (CAN H)
5	NET-L (CAN L)



DeviceNet M12 5-poles NMEA 2000® plug

CONFIGURATION

LINK UP CONFIGURATOR APP

To properly configure the system, some parameters must be calibrated through the Link Up gateway, like sensor instance and warning threshold.

This is possible through the “Link Up Configurator” smartphone App, which can be downloaded free of charge from the stores of both Android and iOS devices.

A simple and detailed explanation of the configuration process is also available as in-app instructions.

Thanks to the passive embedded NFC receiver, the Link Up gateway can be configured, as described below, without the need of power supply.



LINK UP
CONFIGURATOR



Link Up Configurator App is available for both iOS and Android devices

SENSOR CONFIGURATION



1. Launch the “Link Up Configurator” App and read the actual configuration of the Link Up device by “tapping” the smartphone onto the Link Up wireless area (indicated by the red arrow).

NOTE: The antenna position on the smartphone depends on the model. Please refer to the smartphone manufacturer manual.

CONFIGURATION



2. After the readout, the App will show the "Configuration Summary", which displays all the current settings of the device.

To modify the configuration, press the "Change Configuration" button.

3. Choose the instance (e.g. Engine 2) so that the Link Up gateway will correctly transmit the exhaust temperature value over NMEA 2000®.

Once the settings are completed, press the "Write Configuration" button to prepare the download.



4. To download the configuration, simply "tap" the smartphone again onto the Link Up wireless area, as described on step 1.

The configuration is instantaneously transferred to the device, and the new "Configuration Summary" is displayed.

SUPPORTED LINK UP CONFIGURATIONS*

Sensor Type	Calibration	Alarm available	NMEA 2000® PGN
Exhaust Temperature	Veratron pyrometer sensor characteristic (fixed)	Yes (above)	130316

**the supported configurations may be updated at any time. Please make sure to always use the latest App version.*

LED NOTIFICATION

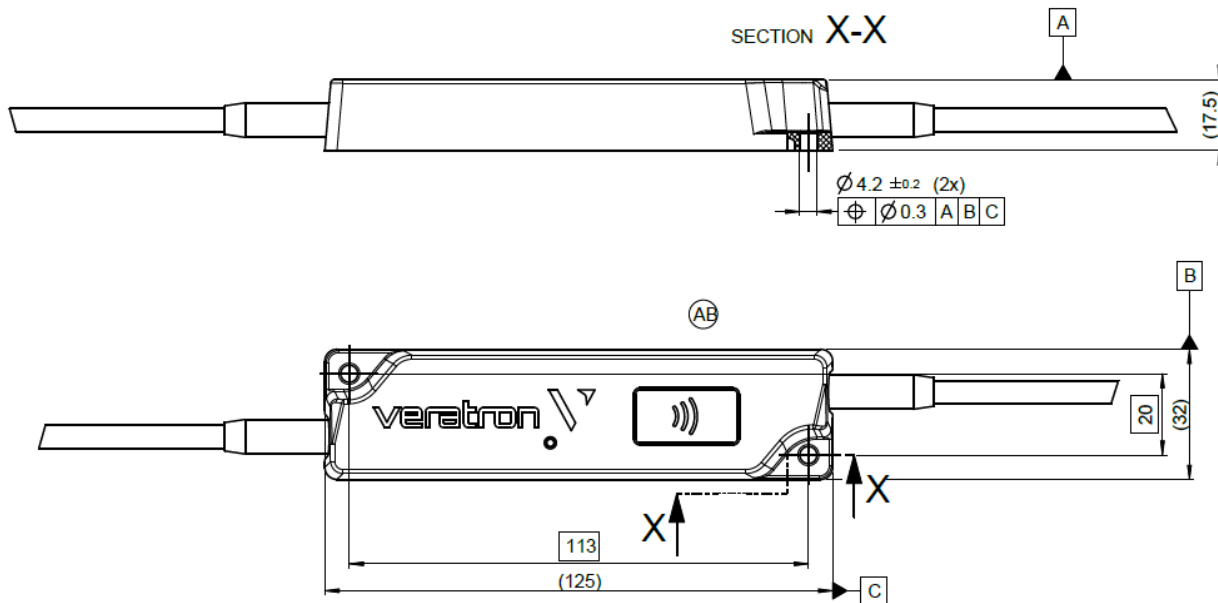
LED behavior	Description
OFF	Device not powered.
ON	Device configured and in operation.
Slow blink (1Hz)	Device in operation with invalid or empty configuration. Waiting for configuration by the user (factory setting). NMEA 2000® messages are NOT transmitted.
Fast blink (5Hz)	Analogue value from the sensor out of range. NMEA 2000® messages are being set as "invalid".
Very fast blink (10Hz)	Device reconfiguration in progress after wireless download.

TECHNICAL DATA

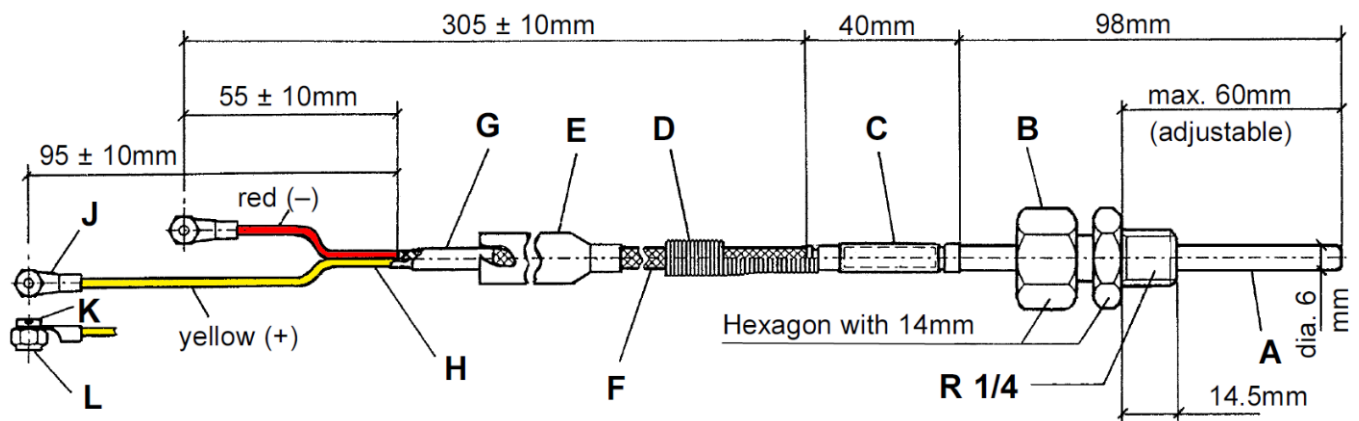
DATASHEET

Operating voltage	6 - 16.5 V
Nominal voltage	12 V (from NMEA 2000® network)
Power consumption	≤ 100 mA
NMEA 2000® LEN	2
Protection class	IP X7 according to IEC60529 (when connected)
Operating temperature	-30°C to 80°C
Flammability	UL94-HB
Measurement range	100 - 900 °C 250 - 1650 °F
LinkUp sensor cable length	25 cm
NMEA 2000® cable length	25 cm
LinkUp Sensor-side plug	TE AMP Superseal 1.5 2 pins - Female Housing: 282080-1 Terminals: 282403-1 (2x) Sealing: 281934-2 (2x)
Extension cable LinkUp-side plug	TE AMP Superseal 1.5 2 pins - Male Housing: 282104-1 Terminals: 282404-1 (2x) Sealing: 281934-2 (2x)
NMEA 2000® plug	DeviceNet Micro-C M12 5 pins - Male
Compliance	CE, Reach, RoHS, UL94, ISO 8846:1990

LINK UP GATEWAY



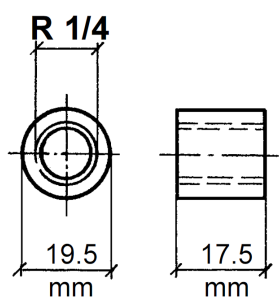
PYROMETER SENSOR



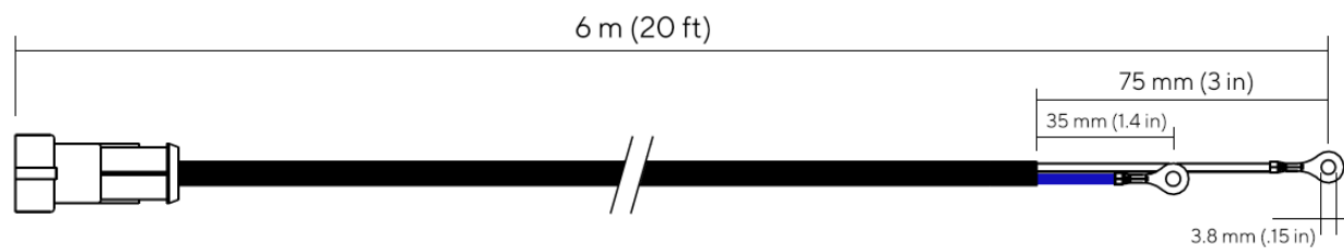
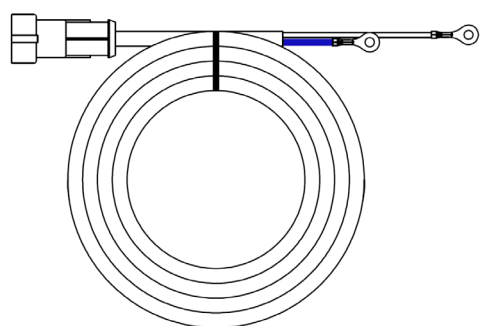
- A** Thermoelement: NiCr-Ni DIN 43710 (with casing insulation)
- B** V-ring bolting
- C** Sleeve with sheathing, brazed
- D** Break protection spring
- E** Heat shrink tube
- F** VA wire winding

- G** Rubber grommet
- H** Compensating wire: NiCr-Ni, 2x 0.5 mm²
- J** Cable lug (2x): DIN 46237-3.5
- K** Screw (2x): M3 x 6
- L** Lock nut: M3

THREADED BUSHING (STEEL)



EXTENSION CABLE



SUPPORTED NMEA 2000® PGNs

Description	PGN
ISO Address Claim	60928
ISO Request	59904
ISO Transport Protocol, Data Transfer	60160
ISO Transport Protocol, Connection Management	60416
ISO Acknowledgment	59392
NMEA - Request group function	126208
Heartbeat	126993
Configuration Information	126998
Product Information	126996
PGN List - Received PGNs group function	126464
Temperature, Extended Range	130316

ACCESSORIES

Accessory	Part Number
Pyrometer sensor	N03-320-264
6 m extension cable	B000632
NMEA 2000® drop cable 2 m	A2C9624380001
NMEA 2000® drop cable 6 m	A2C9624400001
NMEA 2000® T-splitter	A2C3931270002
NMEA 2000® Power Cable	A2C3931290001
NMEA 2000® Terminator Female	A2C3931060001
NMEA 2000® Terminator Male	A2C3931100001

Visit <http://www.veratron.com> for the complete list of accessories.



veratron AG
Industriestrasse 18
9464 Rüthi, Switzerland

T +41 71 7679 111
info@veratron.com
veratron.com

Any distribution, translation or reproduction, partial or total, of the document is strictly prohibited unless with prior authorization in writing from veratron AG, except for the following actions:

- Printing the document in its original format, totally or partially.
- Copying contents without any modifications and stating Veratron AG as copyright owner.

Veratron AG reserves the right to make modifications or improvements to the relative documentation without notice.

Requests for authorization, additional copies of this manual or technical information on the latter, must be addressed to veratron AG.